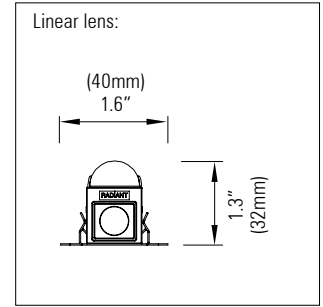
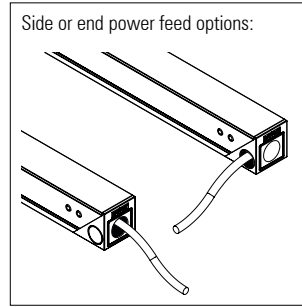
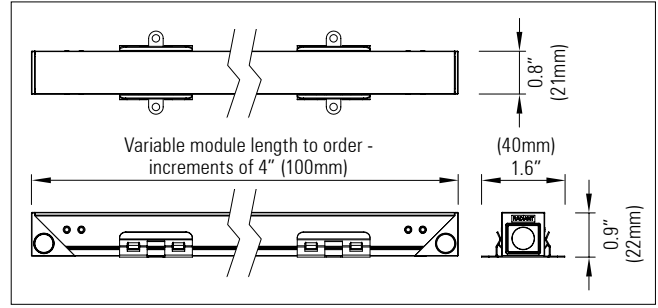


**Euclid IP20 Class 2**  
0.3 Watt medium power LEDs  
LED linear lighting system



**80 x 0.3 Watt medium power LEDs per Mtr**

LED linear lighting system

**Product description:**

For use in interior indirect lighting applications including cove lighting, wall grazing and wall washing

Osram, Samsung or Luminus medium power 0.3 Watt LEDs

Up to 8 Watts per ft (25 Watts per Mtr)

Integral DC to DC low voltage linear drivers. Remote 24 V DC power supply

Continuous LED pitch across strips

Wide range of LED colour temperature and CRI options available

40° linear-lens is available

Custom lengths based on a 4" (100 mm) module up to 8.3' (2.5 Mtrs)

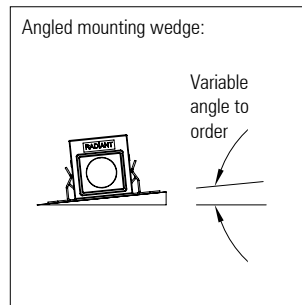
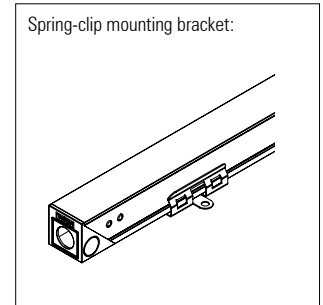
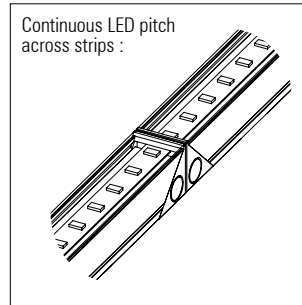
Mounting options include spring clips or custom bracket options

Various dimming options available: 1 - 10, DALI, DMX. Separate dimming channel

Side, end or back power feed and connector options allow for continuous lighting - Up to 36 ft (11 mtrs) can be lit from a single feed point. 16 Amp IP20 connectors join fixtures together on-site - the connectors fit inside the fixtures, allowing for continuous lighting

Black, white or any RAL paint colour finish

\* Dynamic-white option does not use a colour mixing lens



Up to 600 lumens per ft  
(Up to 2,000 Lumens per Mtr)

Product Code	No. of LEDs	IP	Length	LED Type	Optics (°)	Colour Temp. (K)	CRI	Cover	Fixing Type	Feed	Finish
EUCLID 20 0.3W IP20	8 LEDs per 4" (100mm):  1" (25mm) LED pitch between arrays of 2 LEDs	20	4" (100mm)  -increments of 4" (100mm) up to-  8.3' (2.5 mtrs)	0.3W LEDs:  Osram Samsung Luminus	120°  40° linear lens  Optical film	27=2,700k 30=3,000k 35=3,500k 40=4,000k 45=4,500k 50=5,000k Dynamic white	80 90	Clear Frosted Opal	Spring-clip	End Back Side	Black White Any RAL- colour
									Custom		
									Wedge:  Specify angle		